









PROJECT		REF		REV	ITEM CODE	
LOCATION		DATE			PAGE	

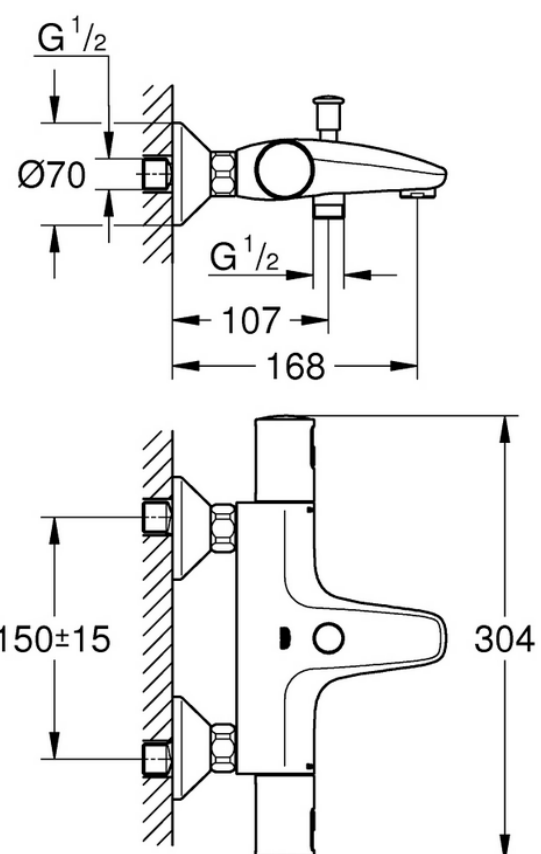
SANITARY WARE SPECIFICATION SHEET


Item Descriptions	GROHE (Germany) "Precision Start" Chrome plated 1/2" thermostatic bath & shower mixer
Dimensions	L305 x W73x H70 mm
Model	34598000
Finish / Material	Chrome Plated
Country of origin	Germany
Manufacturer	GROHE Limited
Supplier	Acme Sanitary Ware Co. Ltd Mr. Eric Wong/ Mr. Don Yuen
Contact Tel/Fax	(852) 2388-7171 / (852) 2710-8012
E-mail	acme@acmesanitary.com.hk
Website	www.acmesanitary.com.hk

Illustration/ Drawing





- "Precision Start"**
1/2" Thermostatic bath & shower mixer
- 
- wall mounted
 - **GROHE StarLight** chrome finish
 - **GROHE TurboStat** compact cartridge with wax thermoelement
 - **GROHE SafeStop** at 38 °C
 - **GROHE EcoJoy** technology for less water and perfect flow
 - automatic diverter: bath/shower
 - volume handle with **GROHE EcoButton** (economy button with individually adjustable economy stop)
 - integrated mixed water shut off
 - ceramic headpart 1/2", 180°
 - shower bottom outlet 1/2"
 - mousseur
 - built-in non return valves
 - dirt strainers
 - S-unions
 - metal escutcheon
 - protected against backflow
 - min. recommended pressure 1.0 bar

Note: [YouTube \(GROHE TurboStat\) https://www.youtube.com/watch?v=GBdD0Gh90Qs](https://www.youtube.com/watch?v=GBdD0Gh90Qs)

* All information of the above is for the reference only. No prior notice is made if any changes.



PROJECT		REF		REV	ITEM CODE	
LOCATION		DATE			PAGE	

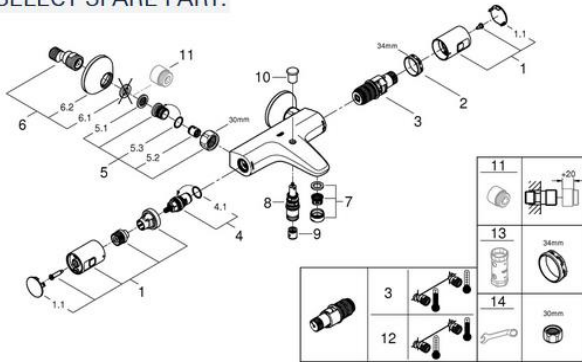
SANITARY WARE SPECIFICATION SHEET



EcoButton

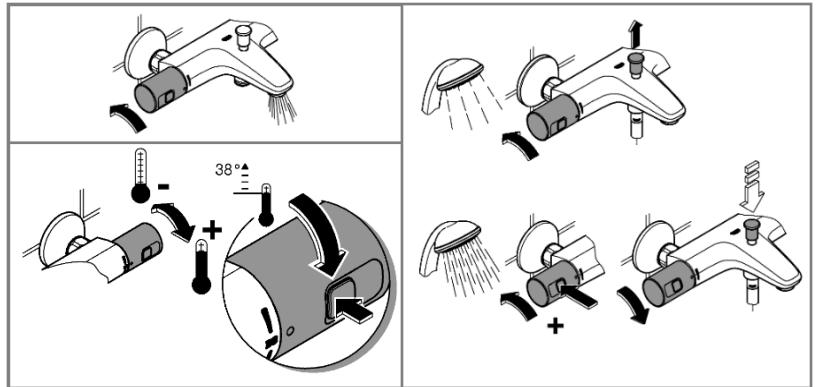
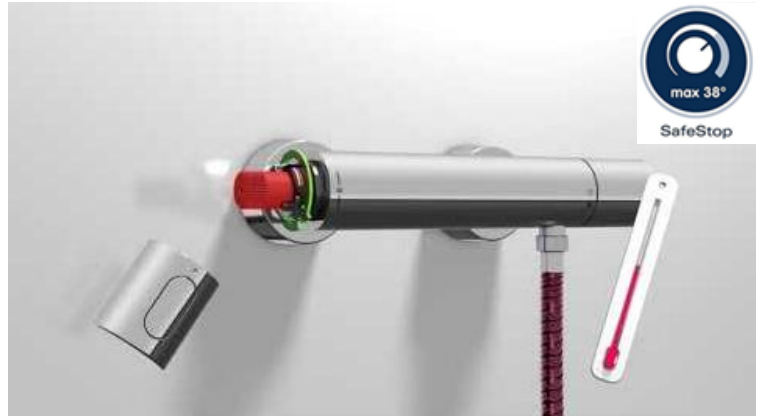
The **EcoButton** on the shower handle enables effortless, fingertip water saving whenever you need it. Simply slide the button and reduce the water used by up to 40%.

SELECT SPARE PART:

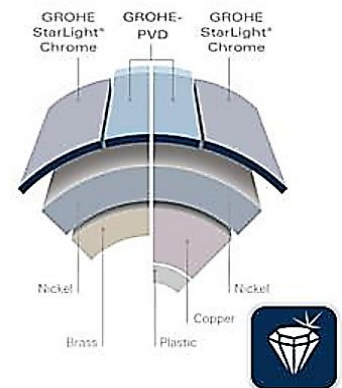


Pos.-nr.	Prod. Description	Order-nr.
1	Handle	47728000
1.1	Cap	6458500M
2	Fitting ring	47743000
3	Thermostatic compact cartridge 1/2"	47439000
4	Ceramic headpart, 1/2"	45346000
4.1	O-ring $\varnothing 18.2 \times \varnothing 1.7$	0392400M
5	Non-return valve	47189000
5.1	Dirt Strainer	0726400M
5.2	Non-return valve	08565000
5.3	O-ring $\varnothing 17 \times \varnothing 2$	0305500M
6	S-union	12075000
6.1	Ball seal dia. 9x6.8 mm	0138600M
6.2	Escutcheon	0221000M
7	Mousseur	13952000
8	Diverter	65655000
9	Non-return valve	08565000
10	Diverter knob	65648000
11	Extension 3/4", 20 mm	0713000M*
12	Thermostatic compact cartridge 1/2" for changed waterways	47175000*
13	Socket spanner	19332000*
14	Special spanner	19377000*

* Optional accessories



GROHE StarLight®



GROHE surface hardness

GROHE scratch resistance



Note:

* All information of the above is for the reference only. No prior notice is made if any changes.



本署檔號 : (2) in WSD 3321/2020 T/J(222/2020)
Our ref.
來函檔號 :
Your ref.


電話 :
Tel.
傳真 : 2824 0578
Fax.

20 April 2020

Approval of "GROHE" Thermostatic Mixer (General Acceptance No. C20200268)

Your letter ref. WRC/2158 dated 6 March 2020 refers.

Having considered the test report ref. J24917 issued on 4 February 2020 by Nutek Systems (HK) Ltd., this Authority accepts that the fitting described below complies with, and its use when correctly installed does not contravene, the Waterworks Ordinance and Regulations.

Name of Manufacturer: Grohe AG
Country of Origin: Portugal
Brand: Grohe
Details of Fitting: 1/2" Thermostatic bath/shower mixer
Model: 34598XXX
(where the digits "XXX" denote the code of colour)
Body Markings: 
Expiry Date: 26 November 2024



This Authority hereby permits the use of the above fitting in fresh water plumbing systems subject to full adherence to Waterworks installation requirements. In particular, you are required to draw your customers' attention to the following requirement-

"The cold water supply to the fitting shall be drawn from the same source that supplies the hot water apparatus so as to provide a balanced pressure and to obviate the risk of scalding in the event of a restriction or failure in the water supply." AND

"The shower head or handspray should not be placed in submerged conditions and should be securely fixed to the original position after use."

A condition of this acceptance is that the fitting to be installed shall be replicas of the sample as certified by the testing agent mentioned above and without modifications. This acceptance may be withdrawn at any time if the standard of the fitting installed fails to meet that of the approved sample or if the fitting is found to be unsuitable for use in fresh water plumbing systems.

This acceptance is only applicable to the main body of the fitting, unless otherwise specified.

For the use of the fitting in any project, the General Acceptance Number of this letter must be quoted as a means of identification of acceptance of the fitting by this Authority.

Should you have any enquiries, please contact our Engineer Mr. Terry KUNG at tel. no. 3583 4086.

Yours faithfully,



(CHAN Chung-kun)

for Director of Water Supplies

Encl.

c.c. WSD 3321/1/82] - without catalogue
 ME/MC] - with soft copy only